



Hybrid Micro Digger

The excavator switches easily from diesel engine to zero emissions electric motor for indoor and outdoor use

⚡ Intuitive Operation

- Switch on and off with the ignition key
- Power adjustment via the throttle
- Automatic switch to the electric mode when the power cable is connected

⚡ Maximum Efficiency

- Low operating costs in electric mode
- Multiple application possibilities = high utilisation rate
- Increased performance

TB210H MICRO HYBRID EXCAVATOR

Part of the
Kelsey Eco Range

TB210H MICRO HYBRID EXCAVATOR - SPECIFICATIONS

Takeuchi TB210H Micro Hybrid 1.3 Tonne Compact Excavator

Part of the Kelsey Eco Range from FTH, the TB210H is designed to be used in confined areas and places with restricted access. It has a standard diesel engine for conventional use and an electric motor for 100% emission free operation when plugged into a 3-phase electricity supply.

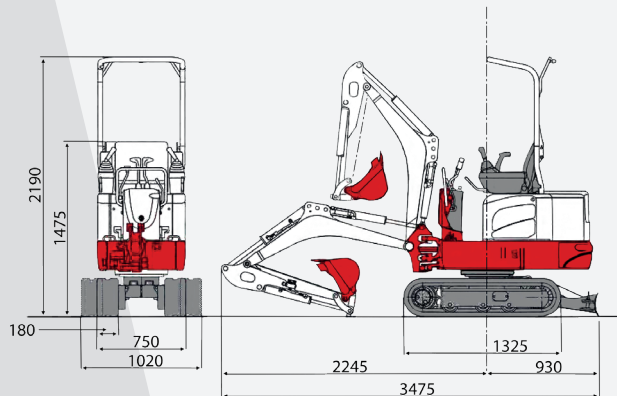
Simply switched to electric mode the TB210H operates virtually silently with full functionality and increased performance up to a distance of 150m from the power source.

ENGINE/MOTOR

3-Phase Electrical Connection V / Hz / A	400V / 50Hz / 32A
Rated Output Diesel kW/rpm	8.8kW / 2200rpm
Rated Output Electrical kW/rpm	9.1kW / 2450rpm

OPERATING INFORMATION

Max. Digging Depth (mm)	1755mm
Max. Dump Height (mm)	2120mm
Max. Reach at Ground Level (mm)	3220mm
Max. Vertical Digging Depth (mm)	1475mm
Max. Bucket Digging Force (kN)	11.2kN
Max. Arm Digging Force (kN)	6.4kN
Ground Contact Length (mm)	1005mm
Ground Pressure (kpa)	28kpa
Travel Speed (km/h)	2.0 - 3.7
Max. Gradeability	15 °



DIMENSIONS & WEIGHT

Operating Weight inclusive of bucket and fuel (kg)	1310kg
Overall Length for Transport (mm)	3475mm
Width (mm)	750 - 1020mm
Height (mm)	2190mm
Ground Clearance (mm)	160mm
Min. Radius Attach (mm)	1320mm
Min. Radius at Max Offset Left (mm)	1219mm
Min. Radius at Max Offset Right (mm)	1158mm
Dozer Blade W x H (mm)	750 (1020) x 200mm

